

MISE A L'EAU HOBIE CAT TRAX HOBIE CAT TRAX DOLLEY HOBIE CAT TRAX SLIPWAGEN

K99240046 (TEDDY/WAVE/DR/14/15/16/TI/PAC)
K99240047 (FOX/FX1)

1 -
Ber/cradle x1
99226014 : Teddy/Wave/
DR/14/15/16/TI/PAC
99226017 : Fox/FX1

Ber/cradle x2 + visserie (+bolts)
99226012 : Teddy/Wave/
DR/14/15/16/TI/PAC
99240115 : Fox/FX1

2 - 99240107 : Tube
Axle
Achse

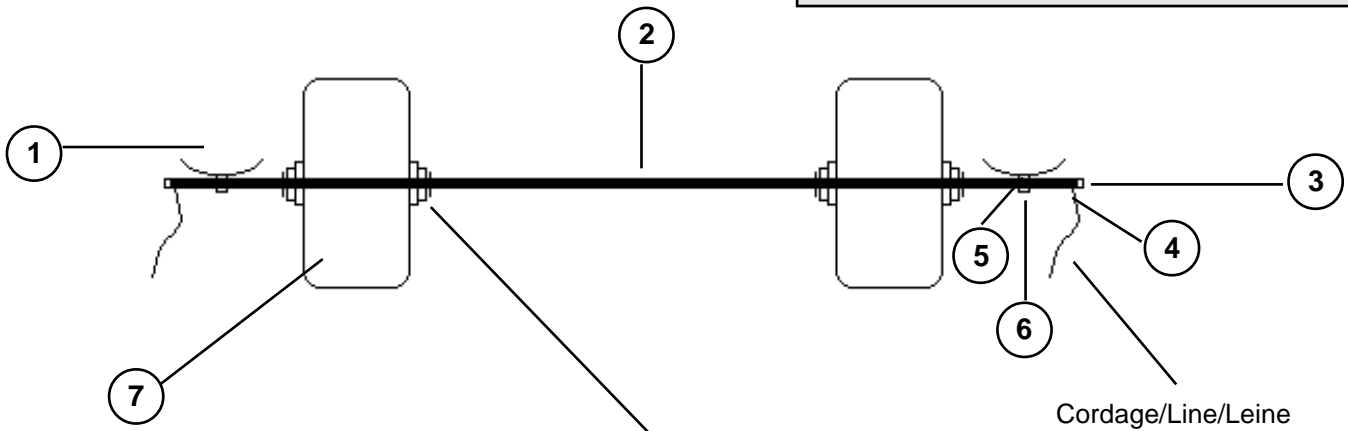
3 - 21041735 (x5) :Bouchon à ailette 50mm
End plug
Endstück

4 - 99056259 (x10) :Rondelle 12 mm
Washer
Unterlegscheibe

5 - 99240004 : Bride inox fixation ber
stainless steel strap
+ 99241025 : Bande neoprene
Rubber lining
Neoprene

6 - 99220930 (x10) :Boulon TH 8x30
Bolt TH 8x30
Schraube TH 8x30
99220750 (x10) : Rondelle 8 mm
Washer 8 mm
Unterlegscheibe 8 mm

7 - 99240040 : Roue
Wheel
Rad



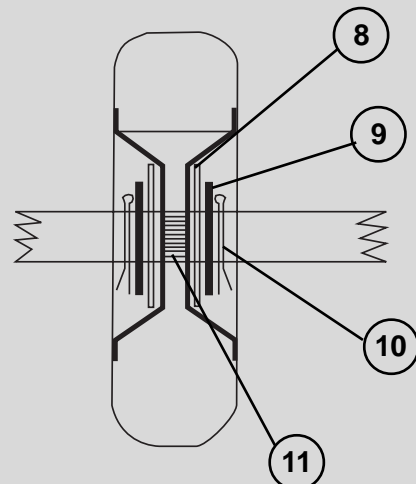
**99241015 : Sachet roulements 2 roues/Wheel
bearing set for 2 wheels**

8 - 99220720 : Rondelle nylon
(x10)
Plastic washer
Mutter plastic

9 - 99220715 : Rondelle inox
(x10)
Stainless steel washer
Unterlegscheibe Inox

10 - 99056246 : Goupille
(x10)
Split pin
Splint

11 - 99240023 : Jeu de roulement de roue
Wheel bearing



**MISE A L'EAU HOBIE CAT TRAX
HOBIE CAT TRAX DOLLEY
HOBIE CAT TRAX SLIPWAGEN**

**K99240046 (TEDDY/WAVE/DR/14/15/16/TI/PAC)
K99240047 (FOX/FX1)**

